



LEICA Visus i

Technical data

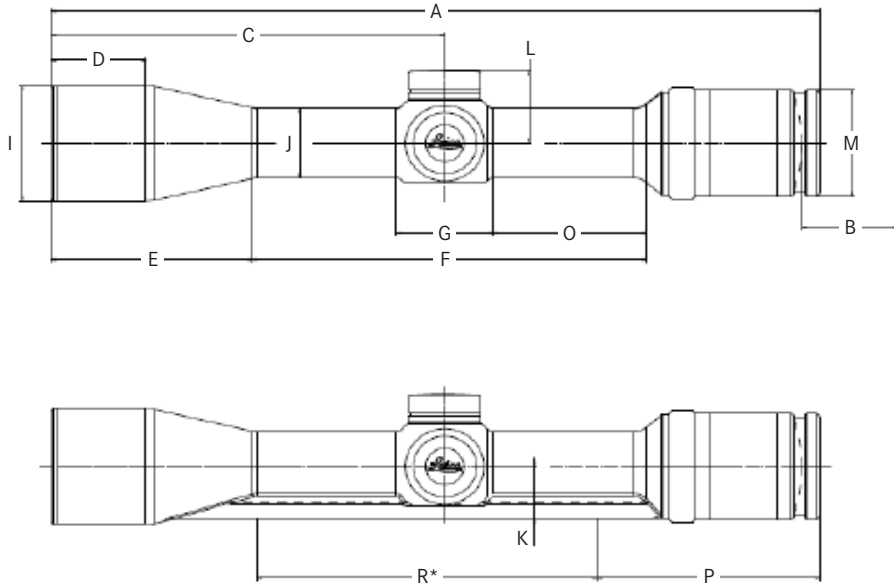


Riflescope	Leica Visus 2.5-10x42 i LW Glossy Leica Visus 2.5-10x42 i LW Matte	Leica Visus 3-12x50 i LW Glossy Leica Visus 3-12x50 i LW Matte
Order No. (Reticle)	56 000 glossy 56 100 matte 56 101 matte with rail	59 040 glossy 57 100 matte 57 101 matte with rail
Package includes	riflescope caps for front lens and eyepiece, cleaning tissue	riflescope caps for front lens and eyepiece, cleaning tissue
Front lens diameter	42 mm	50 mm
Magnification	2.5 - 10x	3 - 12x
Zoom	4x	4x
Field of view at max. magnification (m/100 m)	12.8 ft/3.9 m	10.5 ft/3.2 m
Field of view at min. magnification (m/100 m)	45.9 ft/14.5 m	36 ft/11.5 m
Eye relief	3.9 in/100 mm	3.9 in/100 mm
Exit pupil	0.17 - 0.55 in / 4.2 - 14.0 mm	0.16 - 0.59 in / 4.1 - 14.9 mm
Parallax	328 ft/100 m	328 ft/100 m
Diopter compensation	-4/+3 dpt	-4/+3 dpt
Coating	AquaDura® lens coating	AquaDura® lens coating
Transmission	TD/ TN ≥ 90 %	TD/ TN ≥ 90 %
Central tube diameter	30 mm	30 mm
Impact point correction	1 click = 1 cm / 100 m (≈ 1/3 MOA), 180x180 cm	1 click = 1 cm / 100 m (≈ 1/3 MOA), 120x120 cm
Front lens filter thread	M 46 x 0.75 mm	M 52 x 0.75 mm
Length	12.76 in / 324 mm	13.4 in / 340 mm
Weight	without rail: 18.3 oz / 520 g with rail: 19.4 oz / 550 g	without rail: 21.9 oz / 620 g with rail: 23.3 oz / 660 g
Waterproof	waterproof to 13.1 ft / 4 m nitrogen-filled	waterproof to 13.1 ft / 4 m nitrogen-filled
Available reticles	4a	4a
Reticle illumination	yes, dot, suitable for twilight use	yes, dot, suitable for twilight use
Automatic switch-off	3 min, ± 70°	3 min, ± 70°
Automatic switch-on	yes, activated by position and / or movement	yes, activated by position and / or movement
Battery	1 x CR 2032	1 x CR 2032



LEICA Visus i

Dimensions



	Leica Visus 2.5-10x42 i LW without/with Rail	Leica Visus 3-12x50 i LW without/with Rail
A	319 mm	335 mm
B	91 mm	91 mm
C	163 mm	177 mm
D	39 mm	53 mm
E	--	99 mm
F	E + F: 164 mm	164 mm
G	40 mm	40 mm
I	50 mm	57 mm
J	30 mm	30 mm
K	22 mm	23 mm
L	31 mm	31 mm
M	46 mm	46 mm
O	64 mm	63 mm
P	92 mm	92 mm
R*	141 mm	141 mm

*useful rail length